

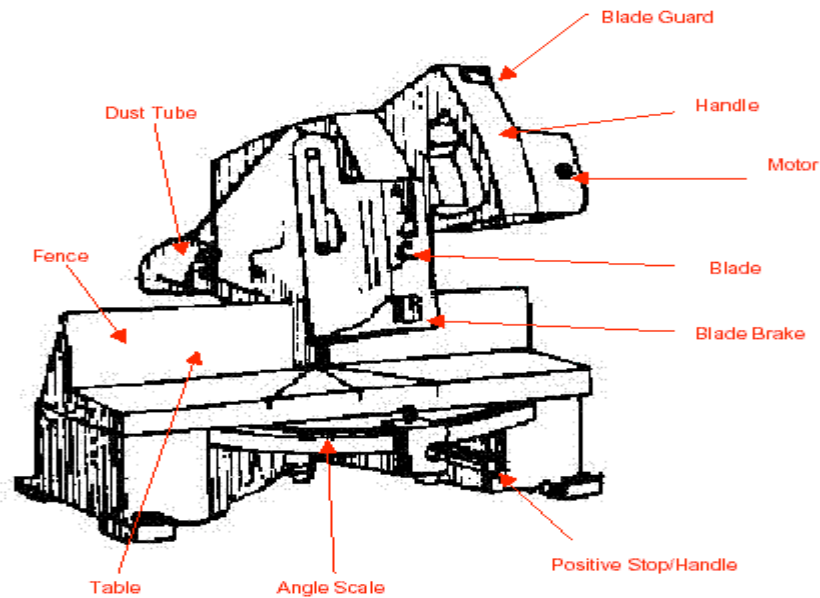
Motorized Miter Box Notes

Requirements:

Proper eye protection must be worn—operate only with instructor's permission and after proper instructions have been received.

1. Disconnect power before making angle adjustments or changing blades.
2. Always hold the work firmly against the fence and table.
3. Allow the motor to reach full speed before starting a cut.
4. Keep fingers outside of blade guards.
5. Remove scrap stock from table when making multiple cuts. Use scrap to do this and not your fingers.
6. Use the brake to stop the blade.

Motorized Miter Box Parts



Motorized Miter Box Written Test

Use the correct heading and write the answer on your own paper. Use the BEST answer to complete the following:

1. Always hold the work firmly (**Away from** **Against**) the fence and table.
2. The machine (**Should** **Should not**) be stopped by pushing a piece of scrap against the side of the blade.
3. The guard sections can easily be checked for proper operation (**Before** **After**) using the machine.
4. The trigger switch and the brake button (**Can** **Cannot**) be used together to gain better control.
5. Fingers should be kept (**Inside** **Outside**) of the blade guards.
6. If the machine is not working properly you should:

List five SAFETY procedures you should do before you operate this machine:

7. _____
8. _____
9. _____
10. _____
11. _____

Motorized Miter Box

1. Operate only with instructor's permission and after you have received instruction.
2. Remove jewelry, eliminate loose clothing, and confine long hair.
3. Make sure all guards are in place and operating correctly.
4. Always use proper eye protection.
5. Be sure power is disconnected before making angle adjustments or changing blades.
6. Always hold the work firmly against the fence and table.
7. Install a new table if adequate support has been cut away.
8. Allow the motor to reach full speed before starting to cut.
9. Use the brake to stop the blade before removing scrap or chips from the work area.
10. Be sure guard parts are functioning properly.

Safety Quiz—Motorized Miter Box

Student Name _____

Class _____

Date _____

Grade _____

1. The table on this machine can be cut so often that it no longer gives safe support to the work. T F
2. The machine should be stopped by pushing a piece of scrap against the side of the blade. T F
3. The guard sections can easily be checked for proper operation before starting to use the machine. T F
4. The trigger switch and the brake button can be used together to gain better control. T F
5. A warped or twisted work piece is not really dangerous. T F