

Radial Arm Saw Notes

Requirements:

Proper eye protection must be worn—operate only with instructor's permission and after proper instructions have been received.

1. Make all adjustments with the power off and the cutter head behind the fence.
2. Make sure that the cutter is off, place the wood against the fence, and slowly "walk" the blade forward to check your cut mark.
3. Before you make any cut, wait until the exhaust system is turned on and the cutter head is turning at full speed.
4. If cutting long pieces of wood, get your partner to help support the length to your left.
5. Never attempt to cut wood that is wider than 1'-0" Get teacher assistance for stock that is wider.
6. Place the wood against the fence, use your left hand to hold it flush and flat against the table. Stand to the left of the blade and use your right hand to guide the blade across the wood.
7. Always make sure that the blade guard and kick-back fingers are properly adjusted before you attempt to rip the wood.
8. Feed the blade into the wood only as fast as it can smoothly cut without binding or "sticking."
9. Always pull the blade through the wood and return it back behind the fence before making your next cut.
10. Always make sure that the machine is turned off and that the blade has stopped before you leave the machine.
11. As with any machine, if you think that it is not working properly, turn it off, unplug it, and get the teacher(s) to inspect it.
12. Always use common sense when operating this and any machine. Remove your jewelry, tuck your shirt in, wear Z87 safety glasses, work with a partner, and always keep your fingers and body away from the path of the blade.
13. Never, ever, place any part of your body directly in front of or behind the blade.

Radial Arm Saw Written Test

Use the correct heading and write the answers on your own paper. Using the BEST answer to complete the following:

- 1/2. Make adjustments with the power (On Off) and the cutter head (Behind In front of) the fence.
3. BEFORE making any cut, wait until the cutter head is turning at (One-half Full) speed.
4. The maximum SAFE width/size of a board that you can cut is (1' – 0" 12 – 0" 1 – 6").
- 5/6. ALWAYS make sure that the machine is turned (On Off), and that the blade has stopped (after before) you leave the machine.
7. As with any machine, if you think that it is not working correctly you should

List five basic steps you should follow before and during the use of the arm saw:

8. _____
9. _____
10. _____
11. _____
12. _____

List five safety procedures you should do before you operate this machine:

13. _____
14. _____
15. _____
16. _____
17. _____

Radial Arm Saw Hands-On Test

Name: _____ Date: _____

Subject: _____ Per: _____

1. What does it do?

2. Why is it useful?

3. Can the student identify this machine (point to it)? (Yes No)

4. Identify the following parts:

On/Off switch Dept of cut gauge Cutter head Kick-back zone

Table Miter cut scale Fence

Guard Miter lock knob Dust collector

5. Safety procedures followed before using the machine:

Shirt tucked in Z87 safety glasses Gets help from/helps partner as needed

Hair secured Checks kick-back zone Remove jewelry

6. Procedures for operating machine (teacher designate):

Right hand—guides the blade, but stays far away from it.

Feet—facing machine.

Vents—double-check to see that they are on and open.

Left hand—keeping board flush with fence, but staying far away from the blade.

Blade adjustment—make sure that it is set to the angle that is required (90, 45, etc.) to set up for a cut.

Board cut adjustment—1' 0" is maximum cut.

Eyes—watches to see where the blade is going and makes sure that the hand is nowhere near the blade.

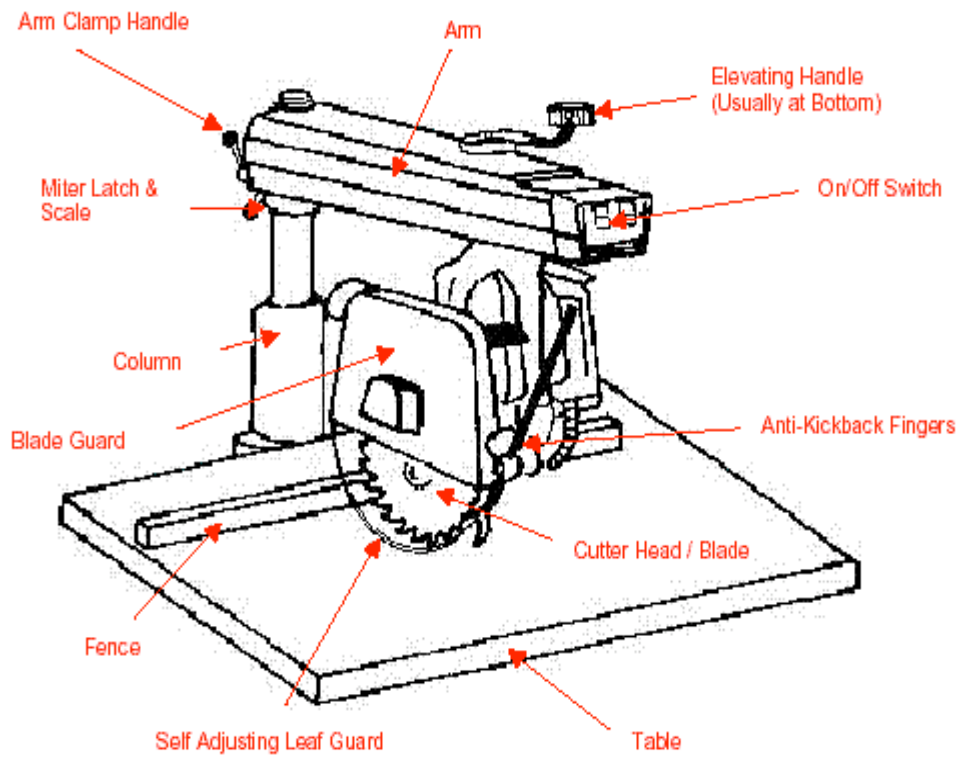
7. Makes two safe and successful operations:

1) Yes No

2) Yes No

8. Makes sure that the machine has been shut down properly, that the area is clean, and puts tools away. Yes No

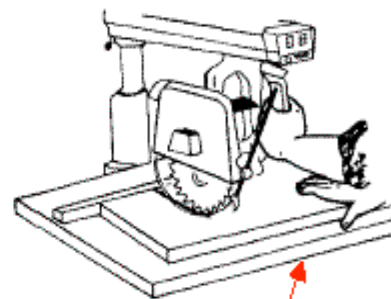
Radial Arm Saw Parts



Cross Cutting:

*Against the grain.
Remember MAX
SAFE cut is 1'-0"

Ripping:
*With the grain.
Can be done, but
SAFER to use a
Table Saw.



NOTE: Correct and
safest way to cut.