

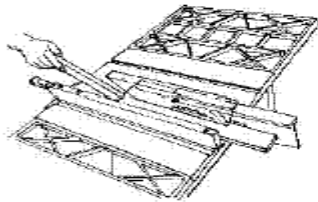
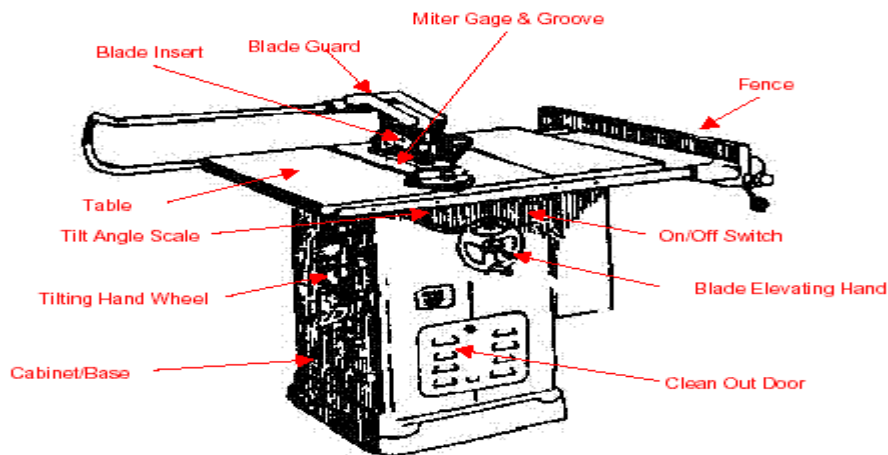
Table Saw Notes

Requirements:

Proper eye protection must be worn—operate only with instructor's permission and after proper instructions have been received.

1. Make sure you are dressed correctly for the job. Remove ties, scarves, jewelry, gloves, and keep long hair tied back.
2. Always wear safety goggles when operating a table saw.
3. Keep guards in place at all times while using a table saw.
4. Stand to the side of the saw during operation. Do not stand in line with the blade.
5. Do not raise the blade more than $\frac{1}{4}$ " inch above the wood's surface.
6. When you are cutting long stock, a helper should support the weight of the wood while the operator does the pushing.
7. Have your instructor inspect all special set-ups and dado heads.
8. Adjustments on the machine should be made with power off and the blade stopped.
9. Use a push stick when ripping narrow pieces of stock.
10. Turn on the exhaust system before beginning work.

Table Saw Parts



NOTE: To be safe always use a Push Stick, Guards, and Help your partner when you cut!

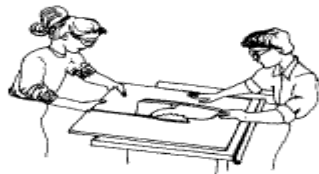
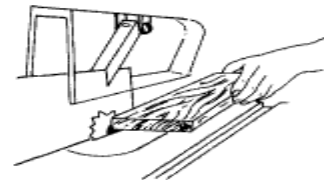


Table Saw Written Test

Use the correct heading and write the answer on your own paper. Using the BEST answer to complete the following:

1. Adjust the blade, just high enough to cut through the stock, (**Before** **After**) the power is turned on.
2. Keep fingers (**Away from** **Close to**) moving parts and never reach over the saw blade.
3. (**Always** **Never**) make a cut without using the proper fences or gauges
4. Be sure that the blade will clear both sides of the (**Fence** **Throat plate**) before turning on the power.
5. Make (**No** **Any**) adjustments while the machine is running.
6. Never attempt to clear away scraps while the blade is (**Running** **Still**).
7. Before beginning any "special" cuts, always have (**The instructor** **Another student**) check the set up.
8. Do not allow fingers to (**Come into direct line with** **Be on the side of**) the blade.
9. (**Get help** **Just be careful**) when sawing large stock.
10. (**Do not** **Do**) cut cylindrical stock on this machine.
11. When starting work or on special set ups, (**Cycle the switch quickly to see that everything is working properly** **Have your instructor check your set-up**).
12. Clean the machine and the area around it with (**Your hands** **A brush**) when finished using.

List five SAFETY procedures you should do before you operate this machine:

13. _____
14. _____
15. _____
16. _____
17. _____

Table Saw Written Test Key

1. Before
2. Away from
3. Never
4. Fence
5. No
6. Running
7. The instructor
8. Come into direct line with
9. Get help
10. Do not
11. Have your instructor check your set-up
12. With a brush

List five safety procedures you should do before you operate this or any machine:

1. Tuck in your shirt.
2. Secure your hair.
3. Remove jewelry.
4. Wear Z87 safety glasses.
5. Work with a partner.
6. Listen for and report any problems immediately.
7. Make sure that any guards are in place and working.
8. No horseplay.
9. Keep work area clean.
10. Protect hands.

III. Written Test

Table Saw Safety and Operation Test

Name _____ Date _____ Class _____

Multiple Choice – Place the letter of the most correct answer on the answer sheet.

1. What should be done with articles of clothing such as ties, coats and long sleeves when operating the table saw?
 - a. Keep them away from the saw blade
 - b. Remove or fasten them out of the way
 - c. Do not get close to the saw
 - d. Have a student hold them out of the way

2. Which of the following items should NOT be worn when operating the table saw?
 - a. Rings
 - b. Gloves
 - c. Bracelets
 - d. All of these

3. Personal protective equipment which should be worn when operating the table saw is/are _____.
 - a. gloves
 - b. ear protectors
 - c. safety glasses
 - d. both b and c

4. When setting the table saw up for a job, the saw blade should be checked for _____.
 - a. stripped threads
 - b. loss of temper
 - c. cracks and missing teeth
 - d. distorted arbor

5. The arbor nut on a table saw is tightened only when _____.
 - a. it becomes loose
 - b. the electrical power source is disconnected
 - c. the class is over by the teacher
 - d. permission is granted

6. To prevent slipping or falling when using the table saw _____.
 - a. turn the saw off before removing material

- b. stay within the safety zone
 - c. do not over-reach when feeding material through the saw
 - d. wear tennis shoes
7. When sawing with the table saw, which of the following would not be a safe practice?
- a. Use the blade guard
 - b. Secure a helper to support the material being sawed
 - c. Push the material through the saw with the right hand and a push stick
 - d. Stand in line with the saw blade
8. After a cut has been completed, what should the operator do before leaving the table saw?
- a. Turn the electrical service off at the circuit breaker or fuse box
 - b. Clear the work zone of all students
 - c. Make sure the saw blade has stopped turning
 - d. Lock the blade
9. When making a rip or crosscut, the saw blade should extend no more than _____ inches above the stock being cut.
- a. $\frac{1}{4}$
 - b. $\frac{1}{8}$
 - c. $\frac{3}{8}$
 - d. $\frac{1}{2}$
10. When bevel or chamfer cuts are made, the hands of the operator should be _____.
- a. Slightly to the right of the table edge
 - b. In front of the saw blade
 - c. Opposite side from which the blade is tilted
 - d. One hand on the right and one hand on the left of the blade
11. Which type of stock should never be ripped on the table saw?
- a. Square stock
 - b. Thick stock
 - c. Round stock
 - d. Flat stock
12. Which of the following operations require the use of a push stick on the table saw?
- a. Ripping narrow materials
 - b. Crosscutting
 - c. Mitering
 - d. Dadoing
13. Setting the cut width for the rip fence is done by:
- a. Measuring between the rip fence and the saw tooth
 - b. Measuring from the rear of the table

- c. Use of a table ruler
- d. Using the miter head

14. A push stick must be used if material is less than _____ inches in width.

- a. 4
- b. 6
- c. 8
- d. 10

15. The purpose of the off-bearer, in table saw operation, is to _____.

- a. pull the stock through the saw
- b. support the stock as it is pushed through the saw
- c. support and pull the stock through the saw
- d. remove scraps, support and help pull stock through the saw

16. When ripping warped lumber the bow should be turned _____.

- a. down
- b. up
- c. horizontally
- d. perpendicular to the blade

17. The maximum distance the rip fence can safely be set from the saw blade is _____.

- a. 36 inches
- b. the distance measured when the carriage is flush with the end of the front rail
- c. 48"
- d. 12 inches on a 12" table saw

18. The accessory used when crosscutting on the table saw is the _____.

- a. front rail
- b. miter gauge
- c. fence
- d. table slot

Table Saw Parts Identification Test

Name _____

Match the number of each table saw part with the correct part name.

___ A. Switch

___ B. Fence carriage

___ C. Table

___ D. Fence

___ E. Blade tilt handwheel

___ F. Fence lock

___ G. Front Rail

___ H. Blade guard

___ I. Blade lowering and
raising handwheel

___ J. Table slot

___ K. Miter head

___ L. Table insert

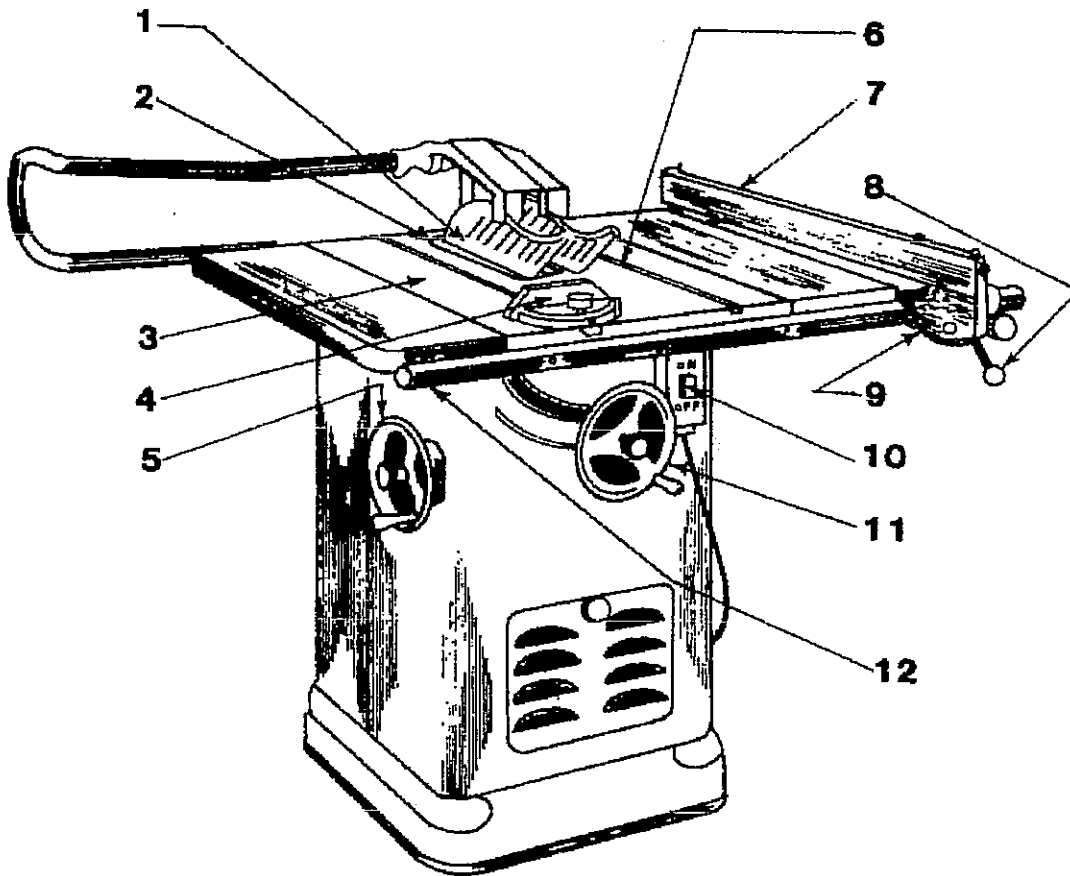


Table Saw Performance Test

Set up:

___ **Make sure the top of the saw table is clear**

Identify:

___ **Blade Guard**

___ **Tilt and Depth Adjustment**

___ **Rip Fence & lock**

___ **On/Off Switch**

___ **Table insert**

___ **Danger Zone**

Safety:

___ **Wear safety glasses and hearing protection**

___ **Check material for defects, knots, or foreign objects**

___ **Use a push stick**

___ **Check Blade guard operation**

___ **Don't stand directly in line with the blade**

___ **Don't reach over the blade to clear cutoff pieces**

___ **Short sleeves or roll up long sleeves**

Demonstration:

___ **Adjust fence to proper width & lock in place**

___ **Have push stick in a convenient location**

___ **Hold material tight against the fence with the left hand**

___ **Use the right hand to pressure the material down on the table**

___ **Feed material into and completely through the blade with the push stick until it clears the blade completely**

___ **Make sure the left hand always stays behind the blade**

Shut Down:

___ **Turn off saw**

___ **Wait for blade to come to a complete stop**

___ **Lower blade when finished**